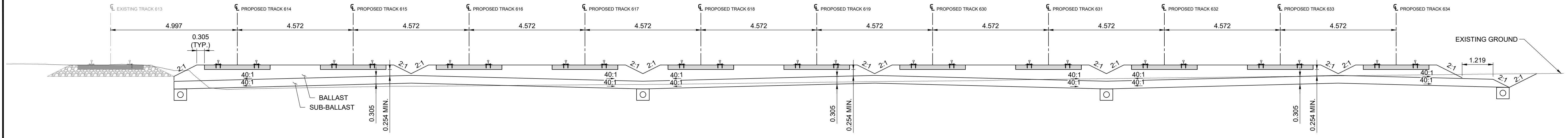
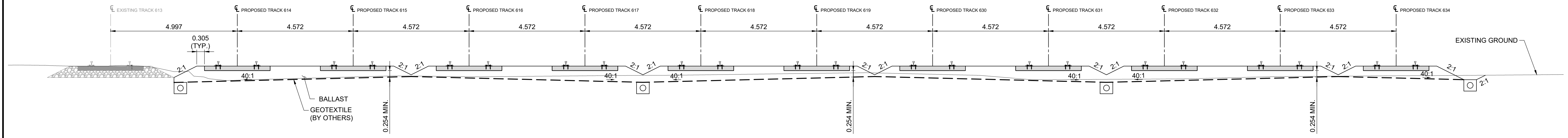

Appendix A1.3

**Road Improvements and
Access Plan**

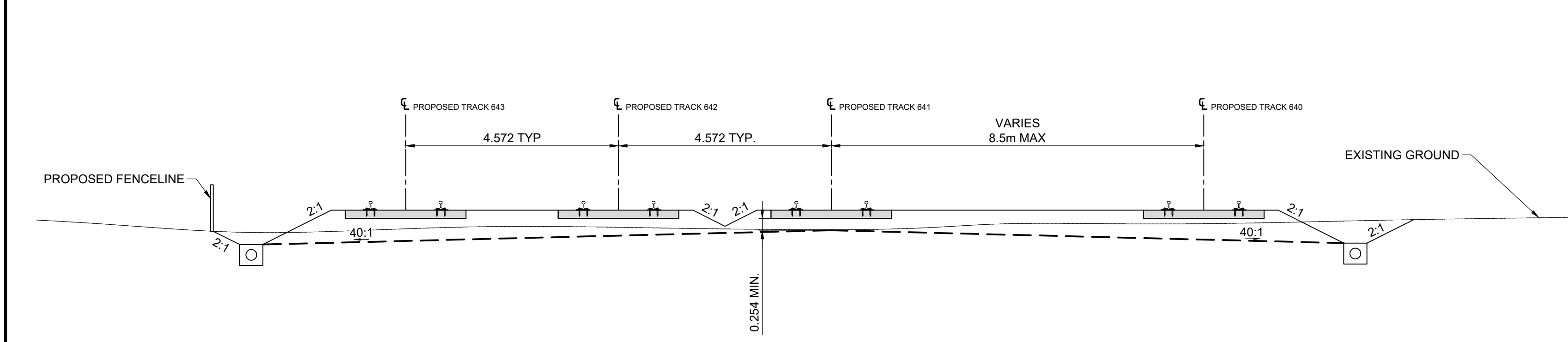
TITLE BLOCK.DWG



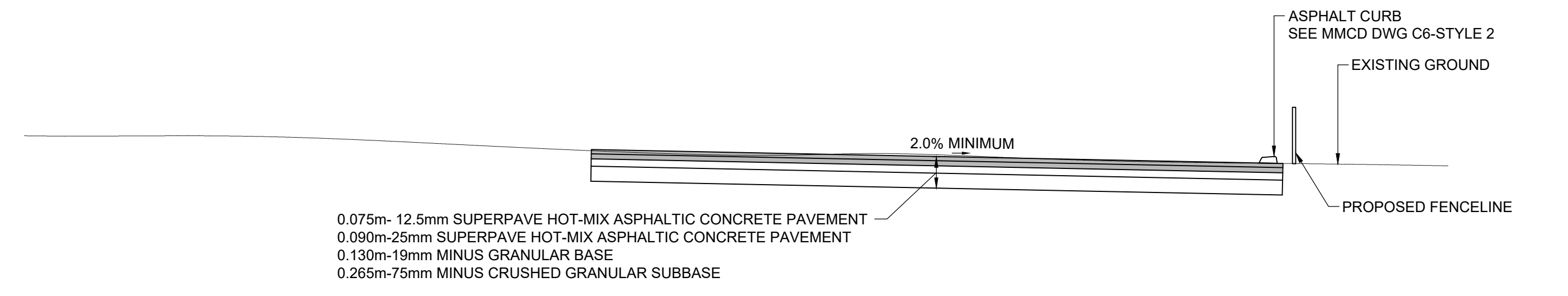
TYPICAL SECTION - PROPOSED TRACKS AT YARD
10" BALLAST
 SCALE: 1:75



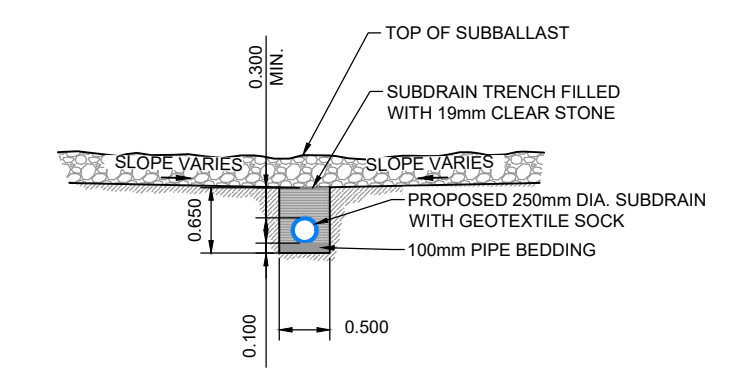
TYPICAL SECTION - PROPOSED TRACKS AT YARD
10" BALLAST AND GEOTEXTILE
 SCALE: 1:75



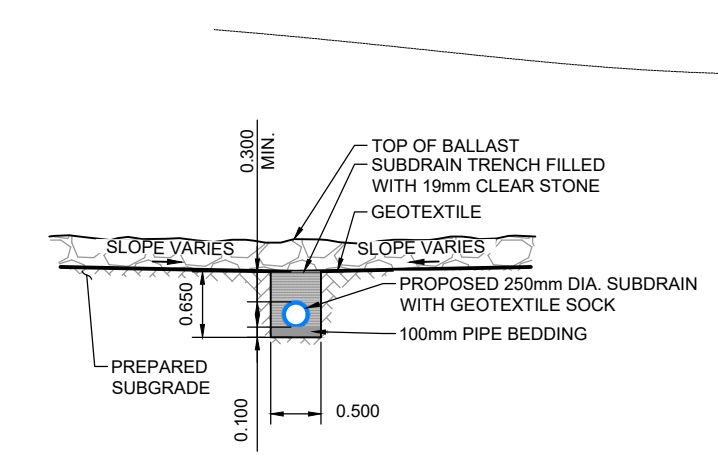
TYPICAL SECTION - PROPOSED CN CONNECTION
10" BALLAST AND GEOTEXTILE
 SCALE: 1:75



TYPICAL SECTION - PROPOSED PAVEMENT FOR TRUCK TURNAROUND
 SCALE: 1:75



DETAIL - SUBDRAIN IN SUBBALLAST
 SCALE: 1:75



DETAIL - SUBDRAIN
 SCALE: 1:75

NOT FOR CONSTRUCTION

DATE: 2022/04/06 - 3:51 pm
 PATH: C:\pwworking\mottmac\autodesk\101001537331\514100569-MMD-00-PO-DR-CV-0030.dwg

Ref. No.	REFERENCE

MOTT MACDONALD
 ENGINEERS AND GEOSCIENTISTS BRITISH COLUMBIA
 PERMIT TO PRACTICE NUMBER: 1001591
 514100569-MMD-00-PO-DR-CV-0030

No.	Date	REVISION	Dr'n	Ch'd
D	2022/APR/06	ISSUED FOR PERMIT 2	JP	DR
C	2021/DEC/10	ISSUED FOR 90% CLIENT REVIEW	AL	DR
B	2021/AUG/27	ISSUED FOR PERMIT	AL	DR
A	2021/AUG/10	ISSUED FOR REVIEW	AL	DR

PORT of vancouver
Vancouver Fraser Port Authority
 ENGINEERING DEPARTMENT

DESIGN BY	A. LAIDLAW V. DO
DRAWN BY	K. WU
APPROVED	C. OTERO
DATE	2022-APR-06
SCALE	AS SHOWN
VFPA SITE	CNV050

VANCOUVER FRASER PORT AUTHORITY
 300 LOW LEVEL ROAD, NORTH VANCOUVER
RAILYARD EXPANSION - RICHARDSON
GRADING TYPICAL SECTIONS

SIZE	DWG.	50-011-CI-010	SHEET	1 of 1	REV	D
------	------	---------------	-------	--------	-----	---

