

REVIEWED REJECTED
 REVISE & RESUBMIT REVIEWED AS MODIFIED
 Corrections or comments made on the shop drawings during this review do not relieve the Contractor from compliance with the requirements of the drawings and specifications. This check is only for review of the general conformance with the design concept of the project and general compliance with the information given in the Contract Documents. The Contractor is responsible for: Confirming and correlating all quantities and dimensions; selecting fabrication processes and techniques of construction; coordinating their work with that of all other trades and performing all work in a safe and satisfactory manner.
 SOKULSKI ENGINEERING LTD.
 Date: 17.11.24 File: 201709
 By: Wei Wang

- NOTES:**
1. ALL ELECTRICAL CONDUITS GET BELL ENDS, WATER CONDUITS DO NOT.
 2. 1/2" INSERTS FOR WATERLINES ONESIDE OF FLOAT, SEE FLOAT SECTION.

FLOAT INFO:		C1
TOP SLAB DEPTH		3.5"
BOT. SLAB DEPTH		-
SLAB CROWN		.5"
EXT. WALL WIDTH		3.5"
INT. WALL WIDTH		3.5"
FLOAT DEPTH		-
STEP		-
WEIGHT OF FLOAT		-
CONC. QTY. (M ³)		-
FREEBOARD		18"
FLOAT BALANCE		0

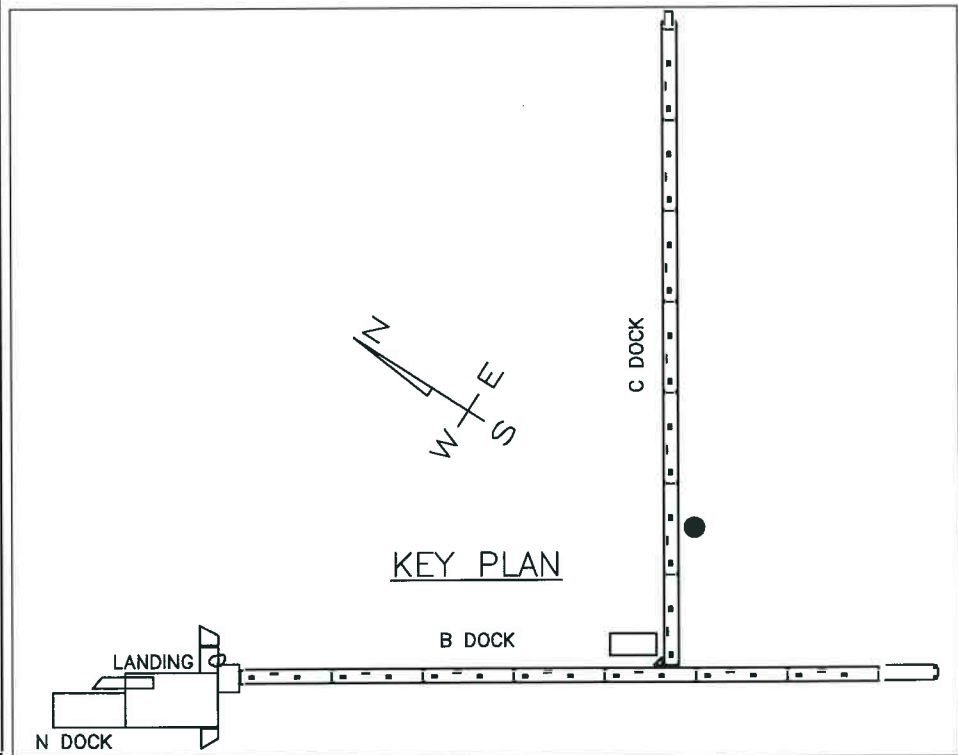
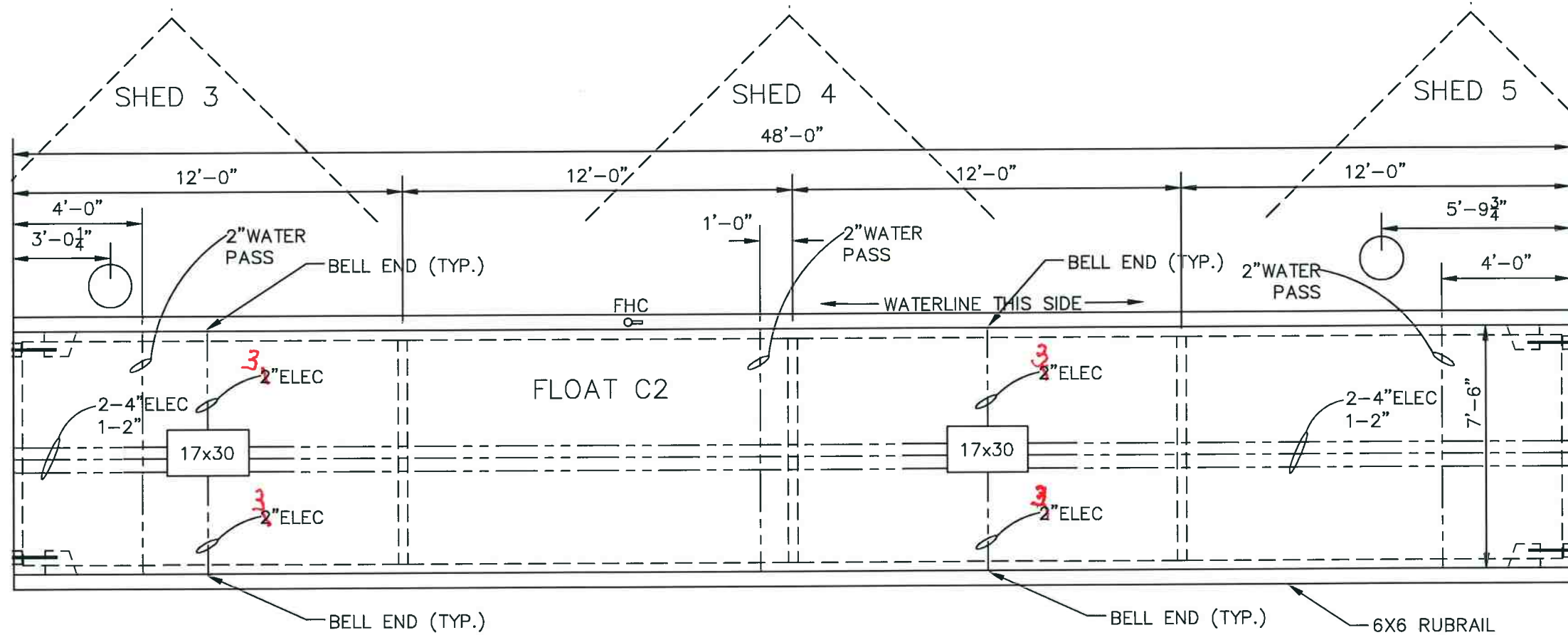
© COPYRIGHT IMFS Nov 2017

REV	DESCRIPTION	DATE

Drawn by: MT
 Date: Nov 6/17
 Designed: -
 Scale: As Noted
 Project: RVC CH
 DWG No. 17-521-C1

IMF INTERNATIONAL MARINE FLOATATION SYSTEMS
 9365 RIVER ROAD, DELTA B.C. V4G 1B4 CANADA
 Tel: (604) 930-9903
 WWW.FLOATINGSTRUCTURES.COM

Float C1
 MT, IMFS 09/11/2017 9:52 AM 519 - RVC CH.dwg



REVIEWED REJECTED
 REVISE & RESUBMIT REVIEWED AS MODIFIED

Corrections or comments made on the shop drawings during this review do not relieve the Contractor from compliance with the requirements of the drawings and specifications. This check is only for review of the general conformance with the design concept of the project and general compliance with the information given in the Contract Documents. The Contractor is responsible for: Confirming and correlating all quantities and dimensions; selecting fabrication processes and techniques of construction; coordinating their work with that of all other trades and performing all work in a safe and satisfactory manner.

SOKULSKI ENGINEERING LTD.
 Date: 17.11.24 File: 201709
 By: Wei Wang

NOTES:

1. ALL ELECTRICAL CONDUITS GET BELL ENDS, WATER CONDUITS DO NOT.
2. 1/2" INSERTS FOR WATERLINES ONESIDE OF FLOAT, SEE FLOAT SECTION.

FLOAT INFO:		C2
TOP SLAB DEPTH		3.5"
BOT. SLAB DEPTH		-
SLAB CROWN		.5"
EXT. WALL WIDTH		3.5"
INT. WALL WIDTH		3.5"
FLOAT DEPTH		-
STEP		-
WEIGHT OF FLOAT		-
CONC. QTY. (M ³)		-
FREEBOARD		18"
FLOAT BALANCE		0

© COPYRIGHT IMFS Nov 2017

REV	DESCRIPTION	DATE

IMF
 INTERNATIONAL MARINE
 FLOATATION SYSTEMS
 9385 RIVER ROAD, DELTA B.C. V4G 1B4 CANADA
 Tel: (604) 930-9903
 WWW.FLOATINGSTRUCTURES.COM

Drawn by: MT

Date: Nov 6/17

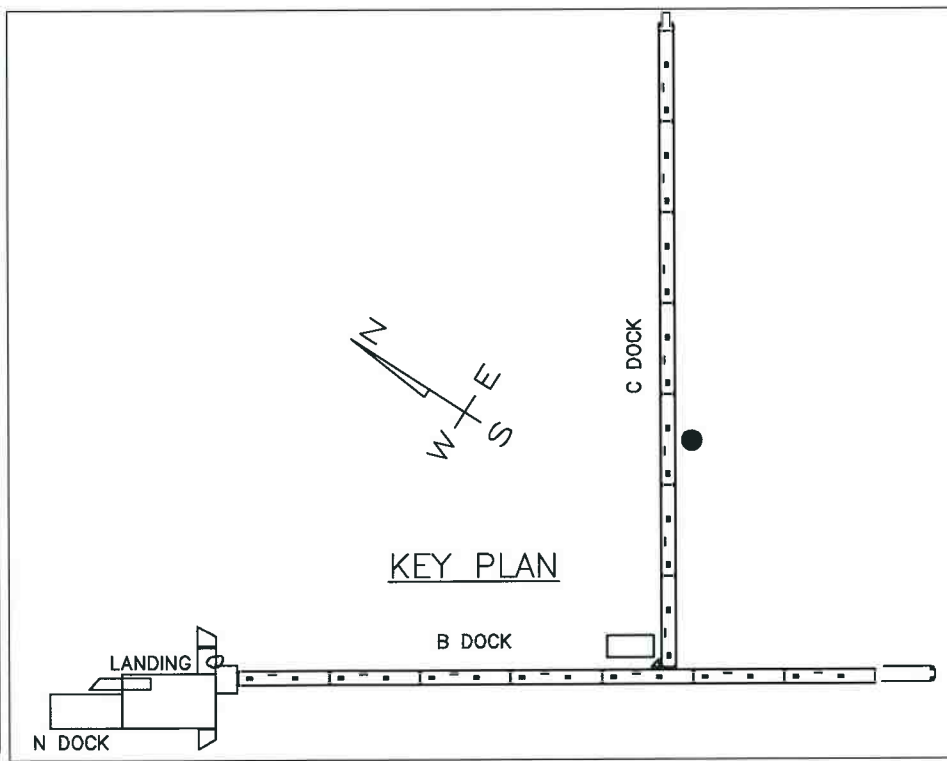
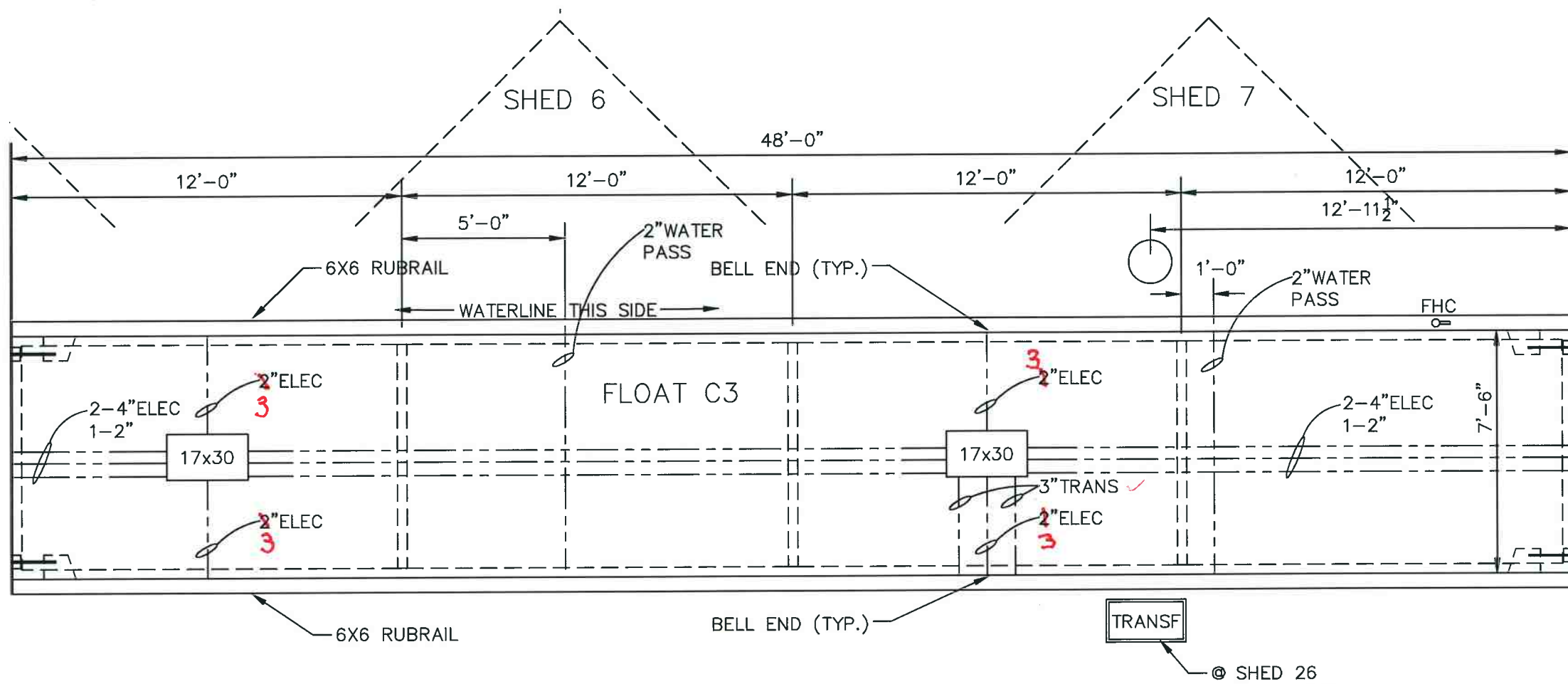
Designed: -

Scale: As Noted

Project: RVYC CH

DWG No. 17-521-C2

Float C1



REVIEWED REJECTED
 REVISE & RESUBMIT REVIEWED AS MODIFIED

Corrections or comments made on the shop drawings during this review do not relieve the Contractor from compliance with the requirements of the drawings and specifications. This check is only for review of the general conformance with the design concept of the project and general compliance with the information given in the Contract Documents. The Contractor is responsible for: Confirming and correlating all quantities and dimensions; selecting fabrication processes and techniques of construction; coordinating their work with that of all other trades and performing all work in a safe and satisfactory manner.

SOKULSKI ENGINEERING LTD.

Date: 17.11.24 File: 201709

By: Wei Wang

NOTES:

1. ALL ELECTRICAL CONDUITS GET BELL ENDS, WATER CONDUITS DO NOT.
2. 1/2" INSERTS FOR WATERLINES ONESIDE OF FLOAT, SEE FLOAT SECTION.

FLOAT INFO:		C2
TOP SLAB DEPTH		3.5"
BOT. SLAB DEPTH		-
SLAB CROWN		.5"
EXT. WALL WIDTH		3.5"
INT. WALL WIDTH		3.5"
FLOAT DEPTH		-
STEP		-
WEIGHT OF FLOAT		-
CONC. QTY. (M ³)		-
FREEBOARD		18"
FLOAT BALANCE		0

© COPYRIGHT IMFS Nov 2017

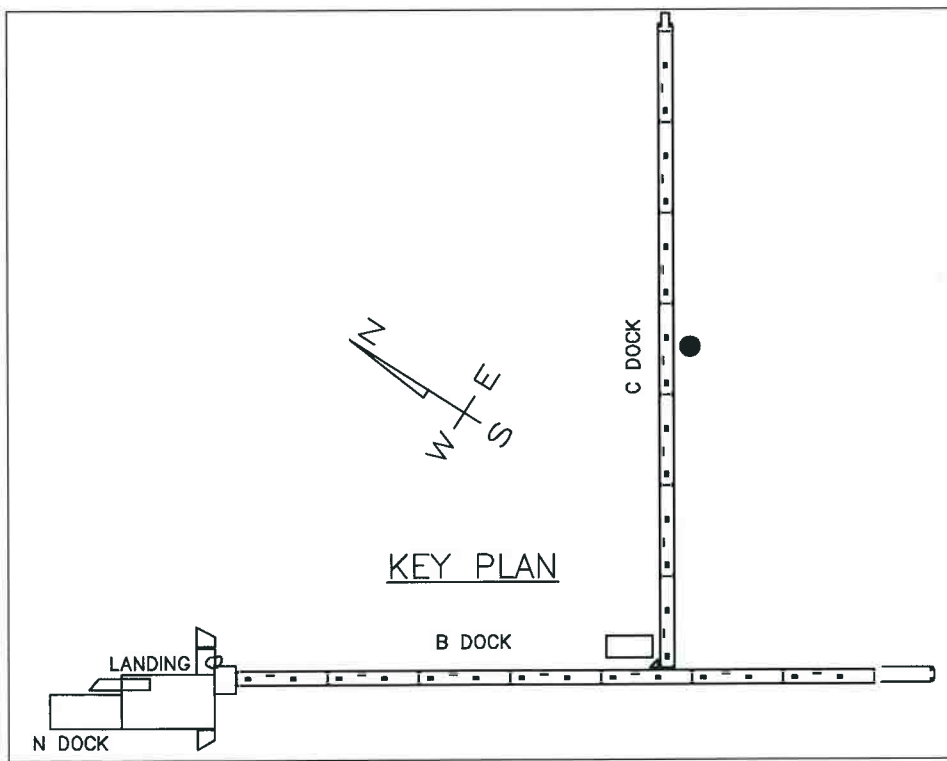
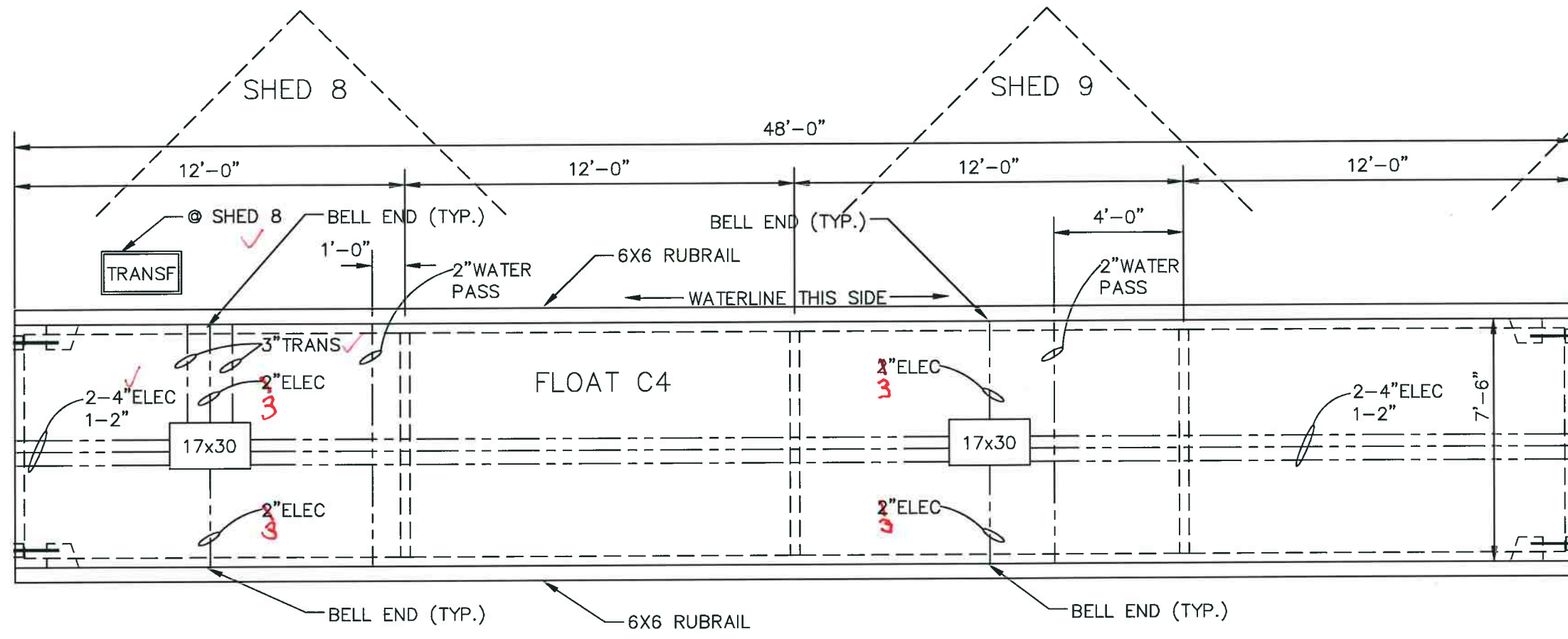
INTERNATIONAL MARINE FLOATION SYSTEMS
 9365 RIVER ROAD, DELTA B.C. V4G 1B4 CANADA
 Tel: (604) 930-9903
 WWW.FLOATINGSTRUCTURES.COM

Drawn by: MT Date: Nov 6/17
 Designed: - Scale: As Noted
 Project: RVCY CH DWG No. 17-521-C3

REV DESCRIPTION DATE

11X17BORDER (P).DWG

ALL RIGHTS RESERVED PROPERTY OF INTERNATIONAL MARINE FLOATION SYSTEMS INC. USE OR REPRODUCTION WITHOUT PRIOR WRITTEN PERMISSION IS PROHIBITED. © MT, IMFS 09/11/2017 9:52 AM 519 - RVCY CH.dwg



REVIEWED REJECTED
 REVISE & RESUBMIT REVIEWED AS MODIFIED
 Corrections or comments made on the shop drawings during this review do not relieve the Contractor from compliance with the requirements of the drawings and specifications. This check is only for review of the general conformance with the design concept of the project and general compliance with the information given in the Contract Documents. The Contractor is responsible for: Confirming and correlating all quantities and dimensions; selecting fabrication processes and techniques of construction; coordinating their work with that of all other trades and performing all work in a safe and satisfactory manner.
SOKULSKI ENGINEERING LTD.
 Date: 17.11.24 File: 201709
 By: *Wei Wang*

NOTES:

1. ALL ELECTRICAL CONDUITS GET BELL ENDS, WATER CONDUITS DO NOT.
2. 1/2" INSERTS FOR WATERLINES ONESIDE OF FLOAT, SEE FLOAT SECTION.

FLOAT INFO:		C2
TOP SLAB DEPTH		3.5"
BOT. SLAB DEPTH		-
SLAB CROWN		.5"
EXT. WALL WIDTH		3.5"
INT. WALL WIDTH		3.5"
FLOAT DEPTH		-
STEP		-
WEIGHT OF FLOAT		-
CONC. QTY. (M ³)		-
FREEBOARD		18"
FLOAT BALANCE		0

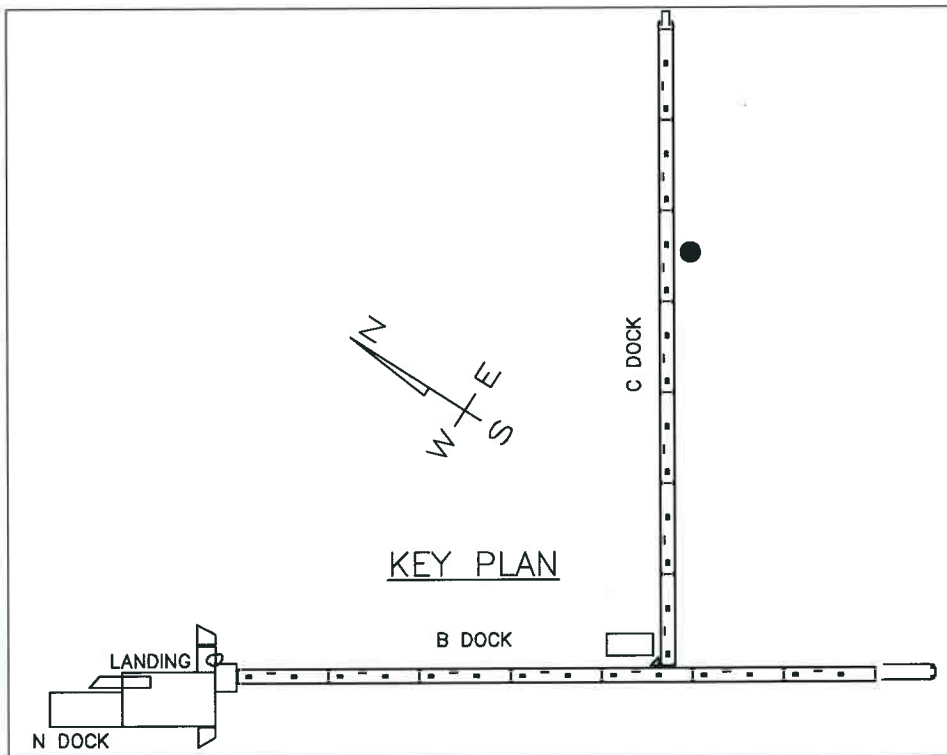
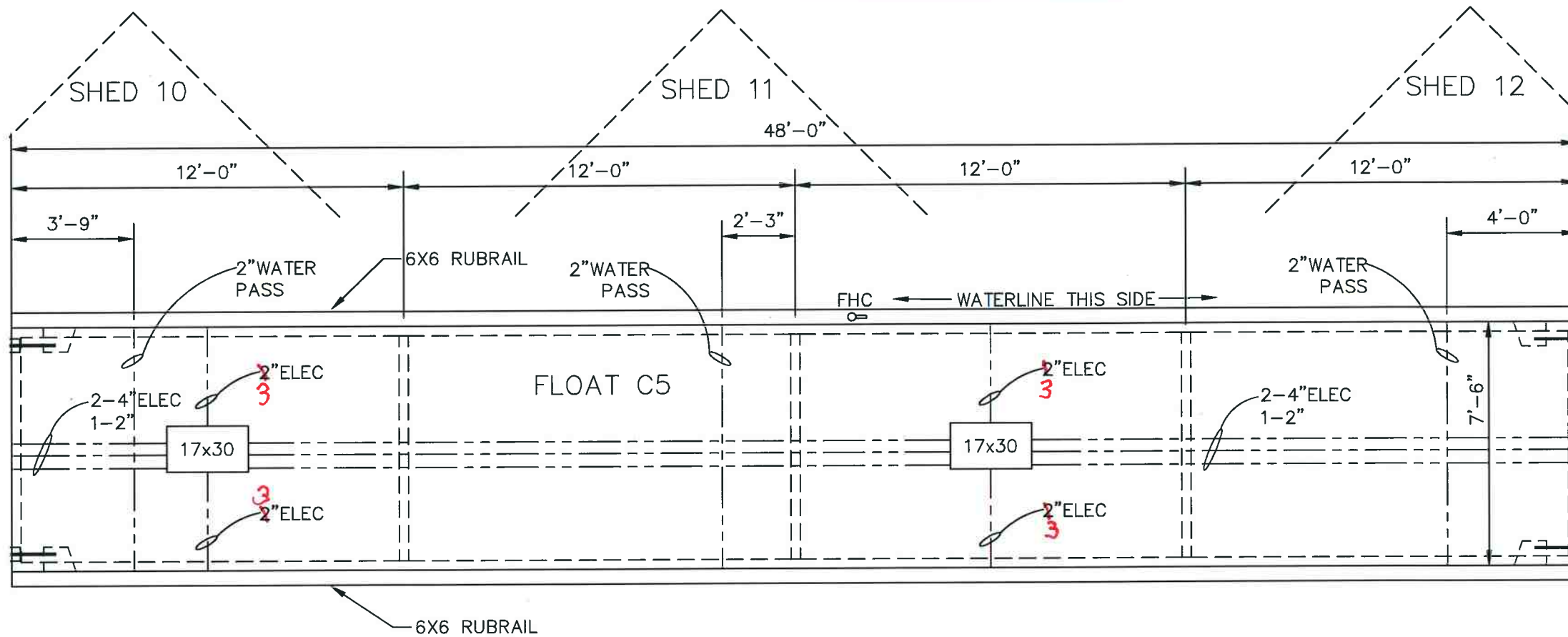
© COPYRIGHT IMFS Nov 2017

REV	DESCRIPTION	DATE

Drawn by: MT Date: Nov 6/17
 Designed: - Scale: As Noted
 Project: RVCY CH DWG No. 17-521-C4

INTERNATIONAL MARINE FLOATION SYSTEMS
 9365 RIVER ROAD, DELTA B.C. V4G 1B4 CANADA
 Tel: (604) 930-9903
 WWW.FLOATINGSTRUCTURES.COM

Float C1
 MT, IMFS 09/11/2017 9:52 AM 519 - RVCY CH.dwg



REVIEWED REJECTED
 REVISE & RESUBMIT REVIEWED AS MODIFIED
 Corrections or comments made on the shop drawings during this review do not relieve the Contractor from compliance with the requirements of the drawings and specifications. This check is only for review of the general conformance with the design concept of the project and general compliance with the information given in the Contract Documents. The Contractor is responsible for: Confirming and correlating all quantities and dimensions; selecting fabrication processes and techniques of construction; coordinating their work with that of all other trades and performing all work in a safe and satisfactory manner.
 SOKULSKI ENGINEERING LTD.
 Date: 17.11.24 File: 201709
 By: Wei Wang

NOTES:

1. ALL ELECTRICAL CONDUITS GET BELL ENDS, WATER CONDUITS DO NOT.
2. 1/2" INSERTS FOR WATERLINES ONESIDE OF FLOAT, SEE FLOAT SECTION.

FLOAT INFO:		C5
TOP SLAB DEPTH		3.5"
BOT. SLAB DEPTH		-
SLAB CROWN		.5"
EXT. WALL WIDTH		3.5"
INT. WALL WIDTH		3.5"
FLOAT DEPTH		-
STEP		-
WEIGHT OF FLOAT		-
CONC. QTY. (M ³)		-
FREEBOARD		18"
FLOAT BALANCE		0

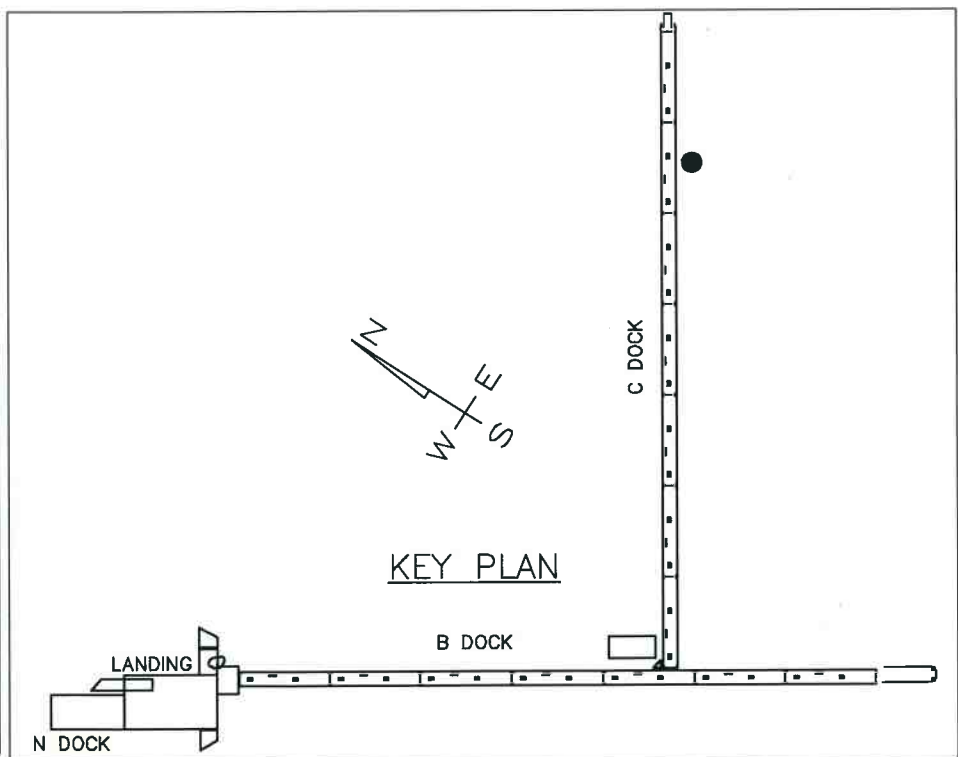
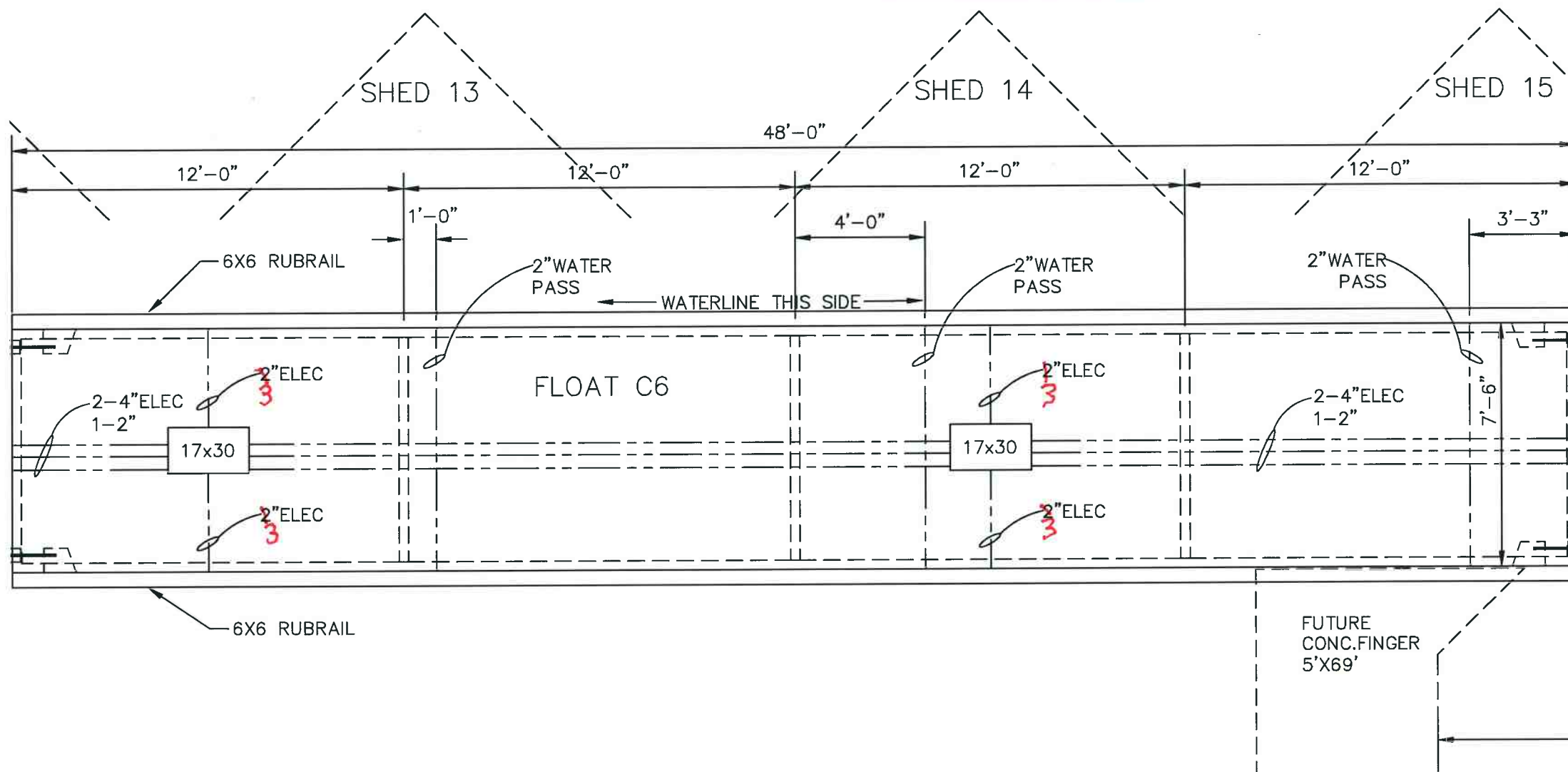
© COPYRIGHT IMFS Nov 2017

REV	DESCRIPTION	DATE

IMF
 INTERNATIONAL MARINE
 FLOATATION SYSTEMS
 9365 RIVER ROAD, DELTA B.C. V4G 1B4 CANADA
 Tel (604) 930-9903 FLOATINGSTRUCTURES.COM

Drawn by: MT
 Designed: -
 Project: RVCY CH
 Date: Nov 6/17
 Scale: As Noted
 DWG No. 17-521-C5

Float C5



REVIEWED REJECTED
 REVISE & RESUBMIT REVIEWED AS MODIFIED

Corrections or comments made on the shop drawings during this review do not relieve the Contractor from compliance with the requirements of the drawings and specifications. This check is only for review of the general conformance with the design concept of the project and general compliance with the information given in the Contract Documents. The Contractor is responsible for: Confirming and correlating all quantities and dimensions; selecting fabrication processes and techniques of construction; coordinating their work with that of all other trades and performing all work in a safe and satisfactory manner.

SOKULSKI ENGINEERING LTD.
 Date: 17.11.24 File: 201709
 By: Wei Wang

NOTES:

1. ALL ELECTRICAL CONDUITS GET BELL ENDS, WATER CONDUITS DO NOT.
2. 1/2" INSERTS FOR WATERLINES ONESIDE OF FLOAT, SEE FLOAT SECTION.

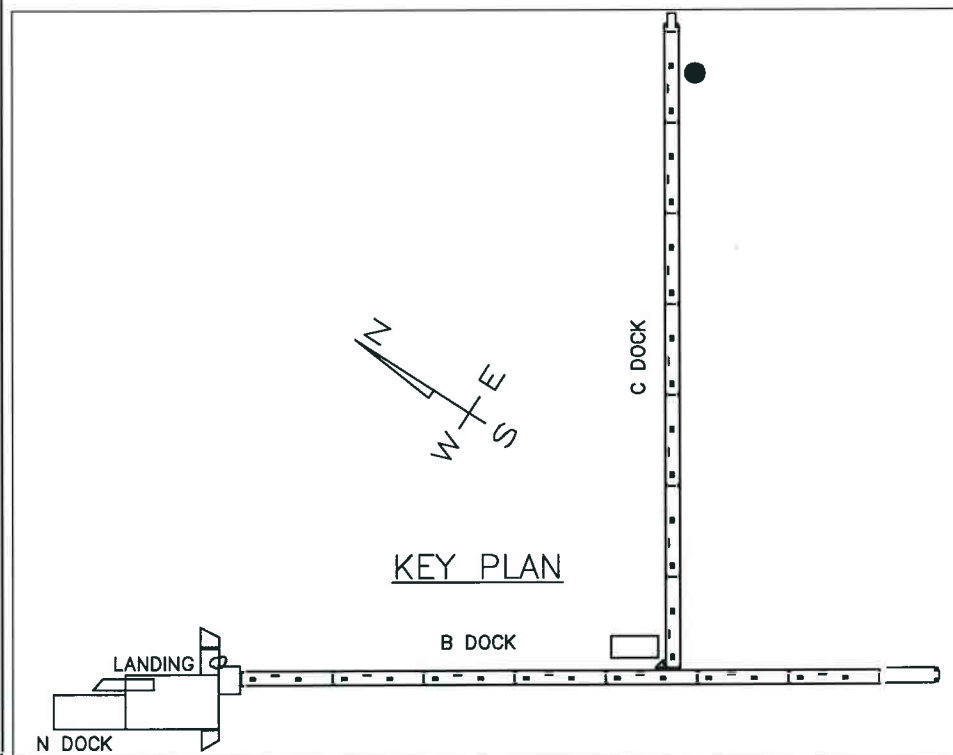
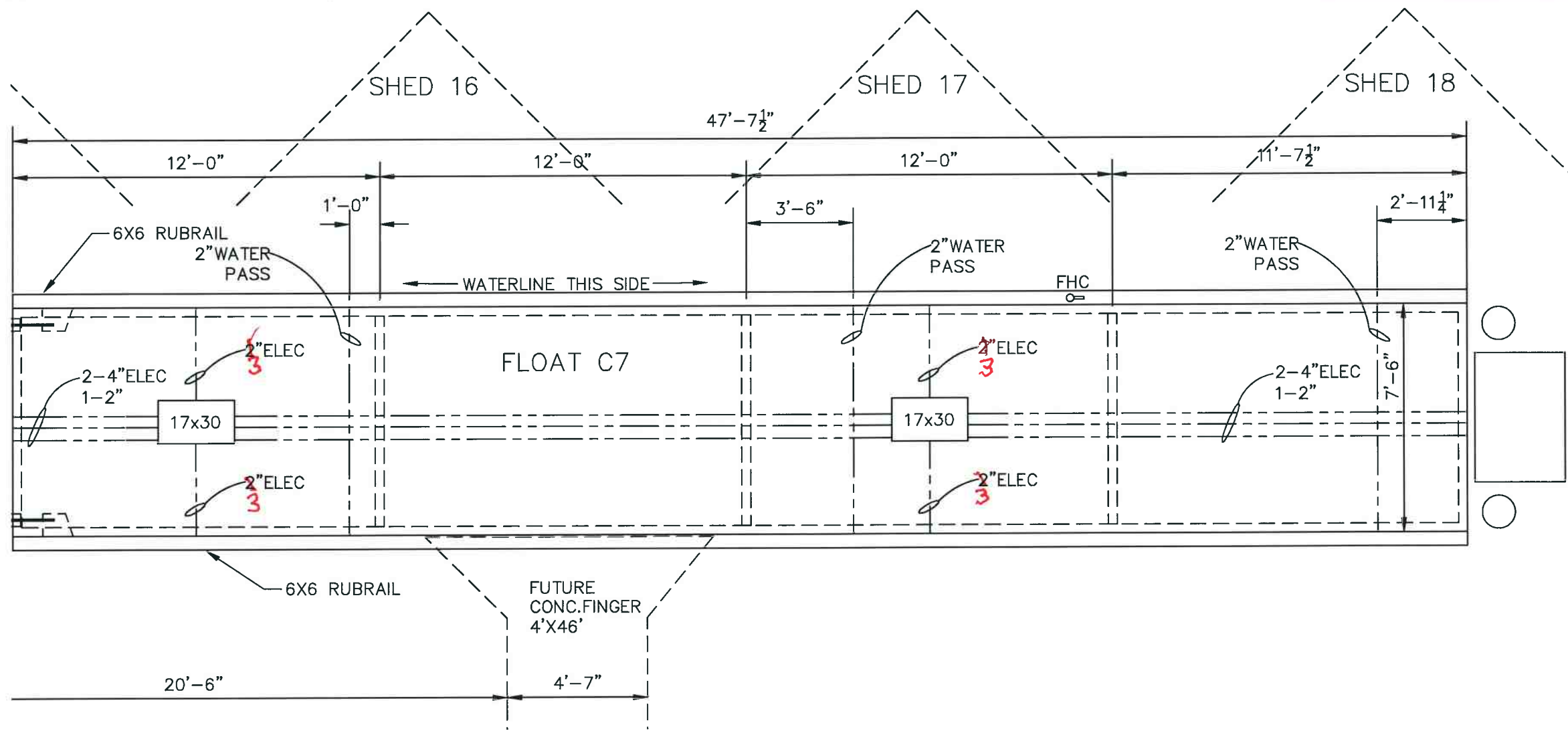
FLOAT INFO:		C6
TOP SLAB DEPTH		3.5"
BOT. SLAB DEPTH		-
SLAB CROWN		.5"
EXT. WALL WIDTH		3.5"
INT. WALL WIDTH		3.5"
FLOAT DEPTH		-
STEP		-
WEIGHT OF FLOAT		-
CONC. QTY. (M ³)		-
FREEBOARD		18"
FLOAT BALANCE		0

© COPYRIGHT IMFS Nov 2017

REV	DESCRIPTION	DATE

INTERNATIONAL MARINE FLOATION SYSTEMS
 9365 RIVER ROAD, DELTA B.C. V4G 1B4 CANADA
 Tel (604) 930-9903 FLOATINGSYSTEMS.COM

Drawn by: MT Date: Nov 6/17
 Designed: - Scale: As Noted
 Project: RVCY CH DWG No. 17-521-C6
 Float C6



REVIEWED REJECTED
 REVISE & RESUBMIT REVIEWED AS MODIFIED

Corrections or comments made on the shop drawings during this review do not relieve the Contractor from compliance with the requirements of the drawings and specifications. This check is only for review of the general conformance with the design concept of the project and general compliance with the information given in the Contract Documents. The Contractor is responsible for: Confirming and correlating all quantities and dimensions; selecting fabrication processes and techniques of construction; coordinating their work with that of all other trades and performing all work in a safe and satisfactory manner.

SOKULSKI ENGINEERING LTD.
 Date: 17.11.24 File: 201709
 By: *Wei Wang*

NOTES:

1. ALL ELECTRICAL CONDUITS GET BELL ENDS, WATER CONDUITS DO NOT.
2. 1/2" INSERTS FOR WATERLINES ONESIDE OF FLOAT, SEE FLOAT SECTION.

FLOAT INFO:		C7
TOP SLAB DEPTH		3.5"
BOT. SLAB DEPTH		-
SLAB CROWN		.5"
EXT. WALL WIDTH		3.5"
INT. WALL WIDTH		3.5"
FLOAT DEPTH		-
STEP		-
WEIGHT OF FLOAT		-
CONC. QTY. (M ³)		-
FREEBOARD		18"
FLOAT BALANCE		0

© COPYRIGHT IMFS Nov 2017

REV	DESCRIPTION	DATE

IMF
 INTERNATIONAL MARINE
 FLOATATION SYSTEMS

9365 RIVER ROAD, DELTA B.C. V4G 1B4 CANADA
 Tel (604) 930-9903 FLOATINGSTRUCTURES.COM

Float C7

Drawn by: MT Date: Nov 6/17
 Designed: - Scale: As Noted
 Project: RVYC CH DWG No. 17-521-C7